



Melea™

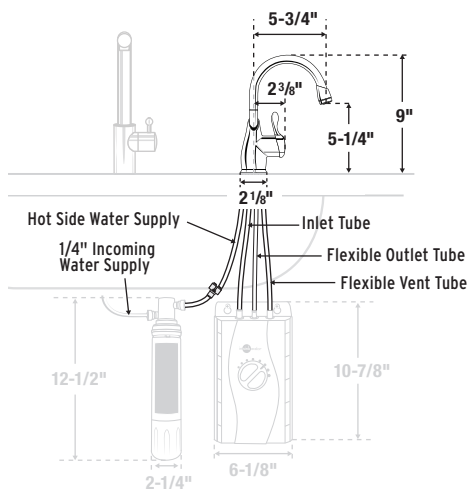
Instant Hot Water Dispenser Faucet

F-H1400

Features

- Dispenses near-boiling, filtered water
- Efficient and time saving
- Single hole installation
- Spout swivels 360-degrees for convenience
- Flexible connectors for easy installation
- Constructed of high quality, low lead brass
- 40° turn ceramic disc valve
- 0.8 gallons per minute maximum flow rate at 60 psi
- For use with InSinkErator® hot water tank and filtration system (sold separately)
- Unit not for commercial/industrial use

Dimensions



Supply Connection	3/8" Compression
Required Sink Hole Diameter	1-1/4" - 1-1/2" Standard Sink Hole
Required supply pressure	25-125 psi (172-862 kPa or 1.7-8.6 bar)
Backsplash Clearance	Minimum 2" required from sink hole center to backsplash
Counter Thickness	Maximum of 3"

Finishes:

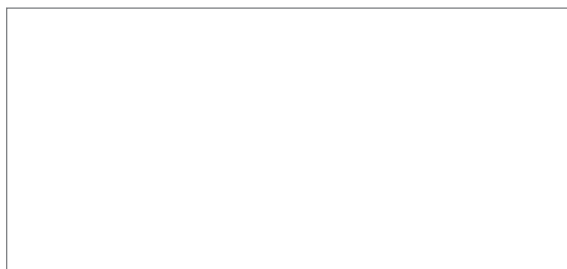
Chrome, Satin Nickel, Matte Black, Oil-Rubbed Bronze and Polished Nickel

Warranty:

We Come To You® 5-Year In-Home Limited Warranty. Covers parts and labor.

* The complete InSinkErator warranty is included in the Care & Use booklet with each unit.

Job Specifications



USA
1-800-558-5700
www.insinkerator.com

InSinkErator may make improvements and/or changes in the specifications at any time, in its sole discretion, without notice or obligation and further reserves the right to change or discontinue models.

© 2016 InSinkErator, InSinkErator® is a business unit of Emerson Electric Co. All Rights Reserved.