

PVC Common Vent System

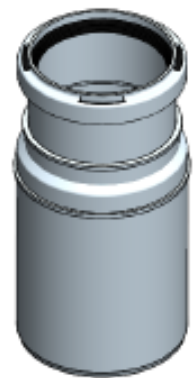
What's in the Box?

7900111 Check Valve
PVC / CPVC DV Only



Ubbink Non-Return Flue Check Valve
(Rinnai Part #: 790111)

Required for each tankless water heater in the PVC/CPVC common vent system



3" PVC/CPVC Mount



Check Valve Adapter



Vent System Lubricant
For seal ring lubrication



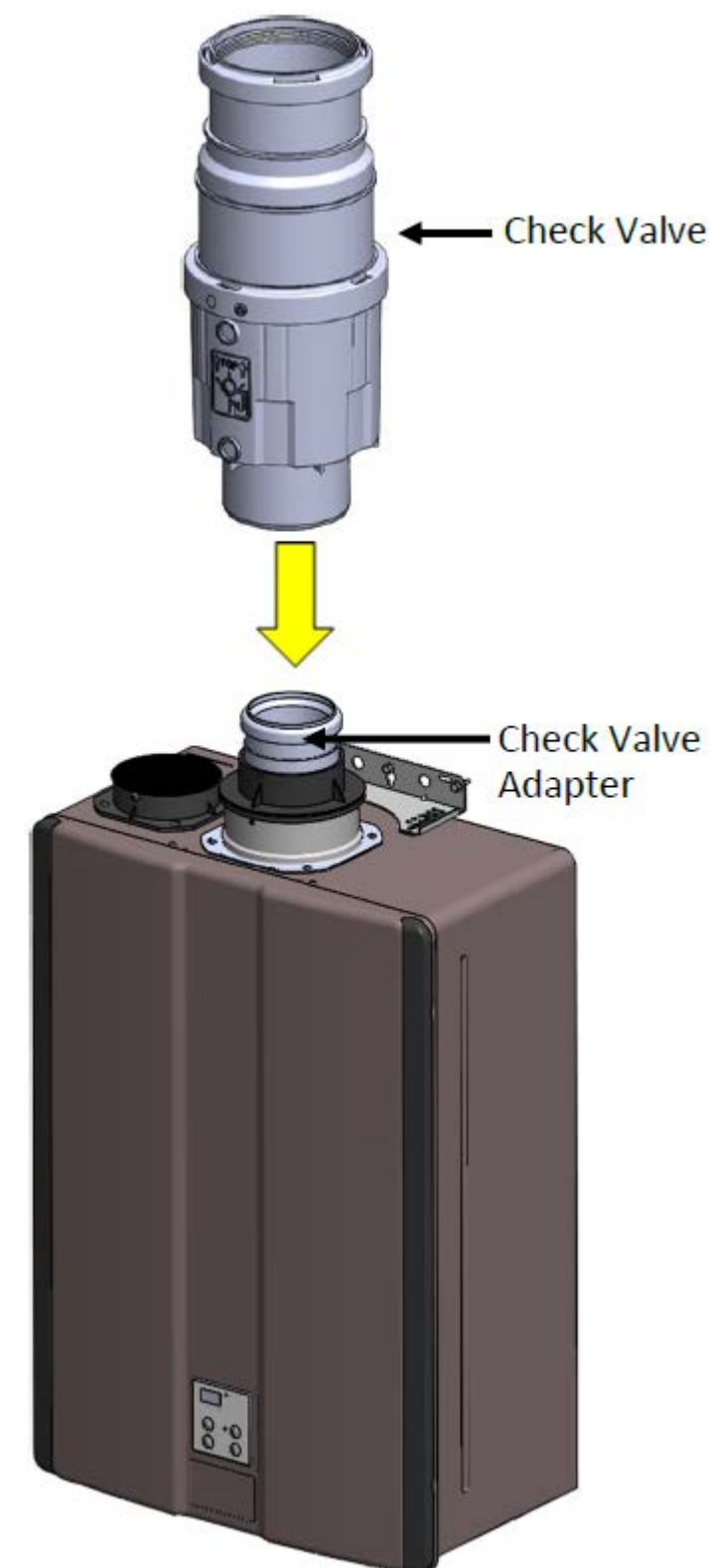
(6) Self-Tapping Screws
*(5) screws for installation and
(1) extra replacement screw*



Installation Instructions (this manual)

Check Valve Installation

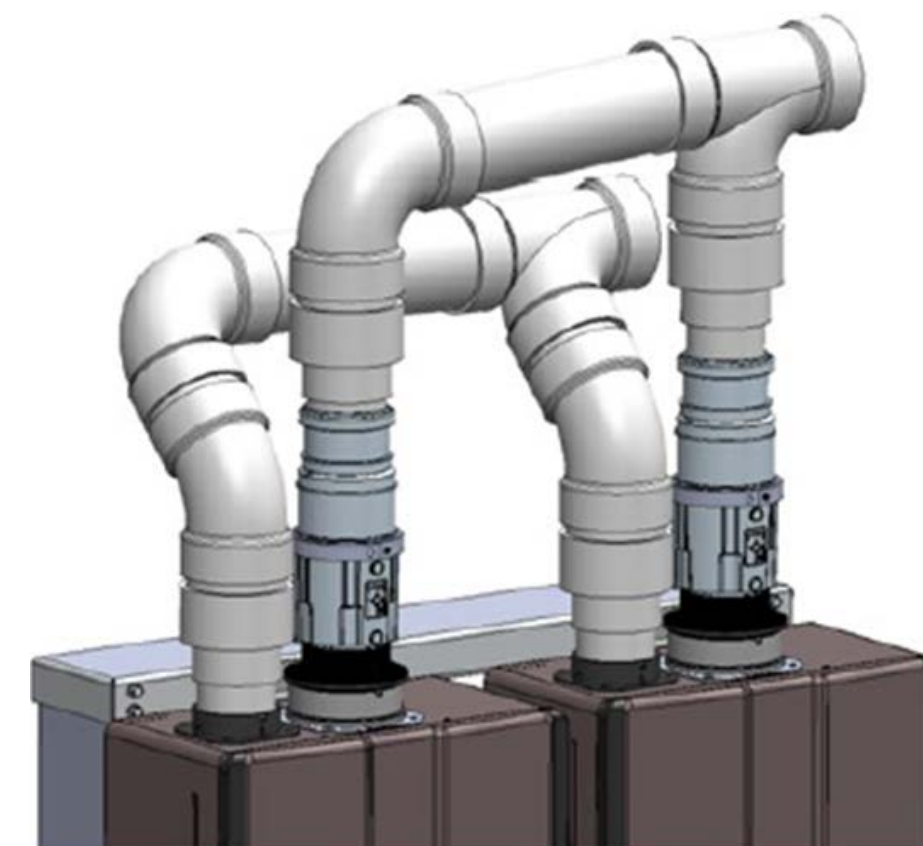
1 check valve per water heater is required



Header Construction

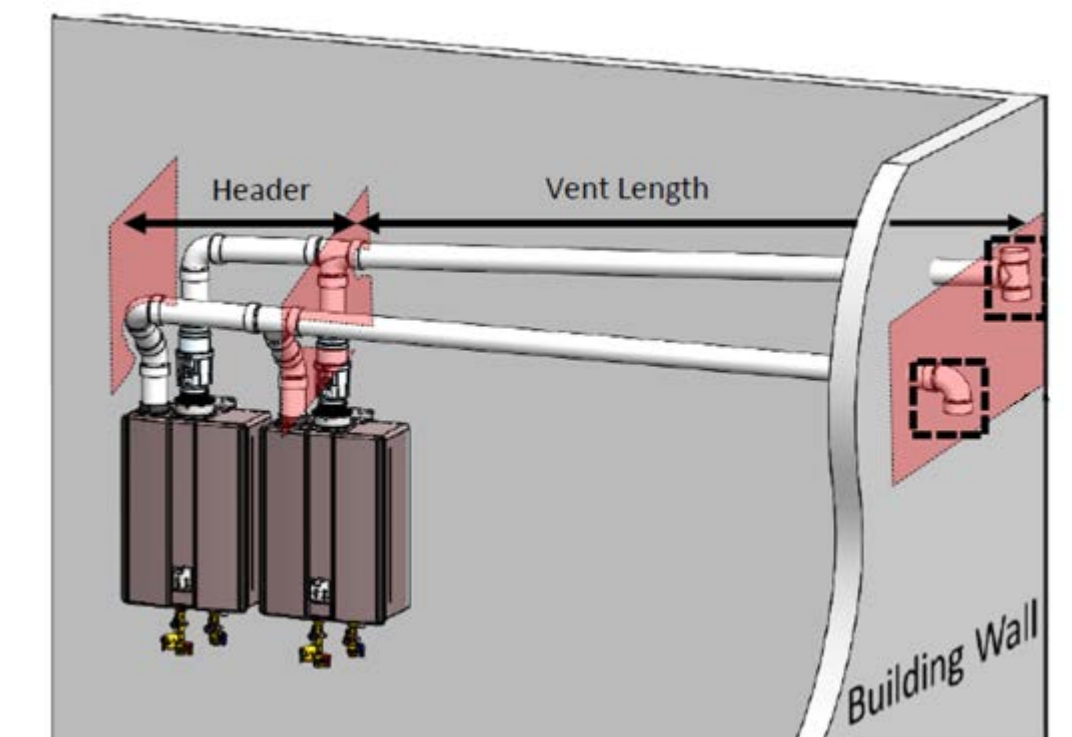
Field sourced components required for Header Assembly

Header assembly drawings included in the installation Manual



Vent Run and Termination

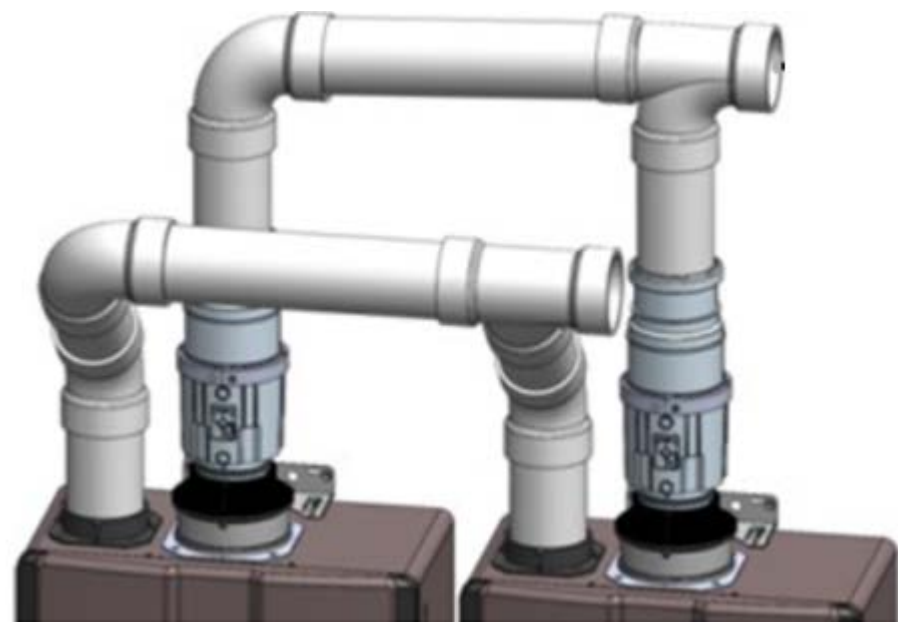
Exhaust Termination: Tee
Intake Termination: Elbow



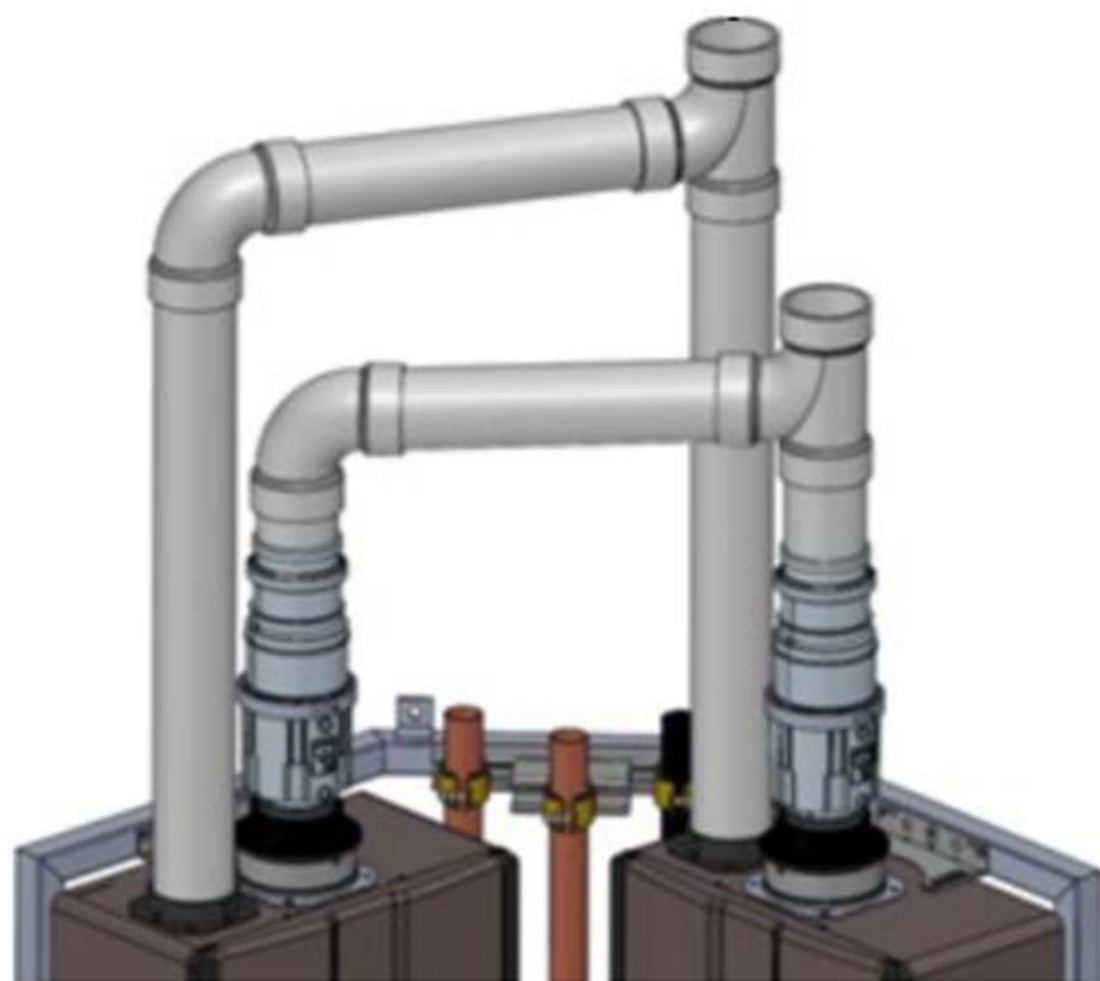
PVC / CPVC Common Vent

3" PVC/CPVC System

2 Unit In Line

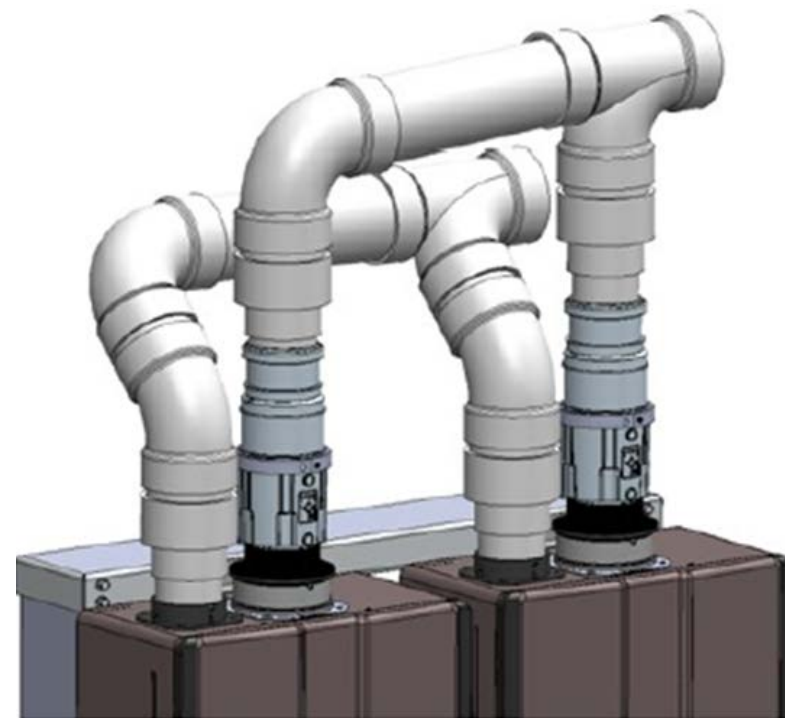


2 Unit Corner Rack

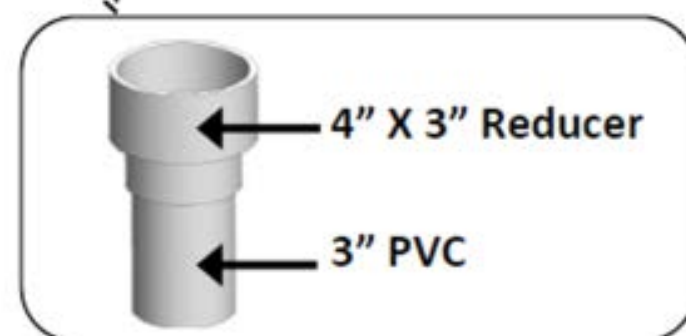
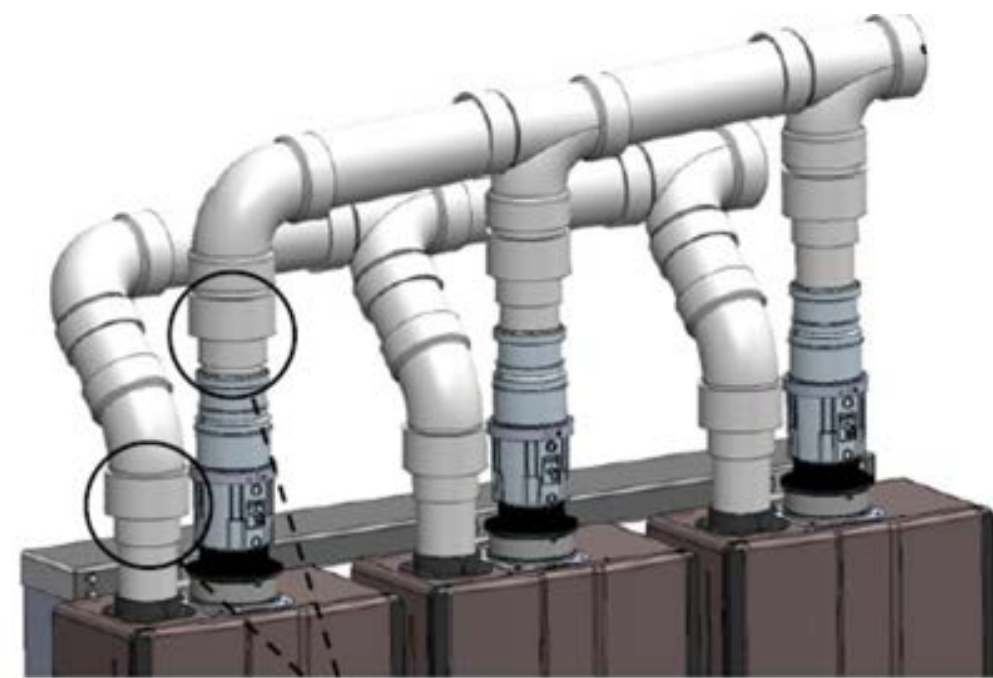


4" PVC/CPVC System

2 Unit In Line

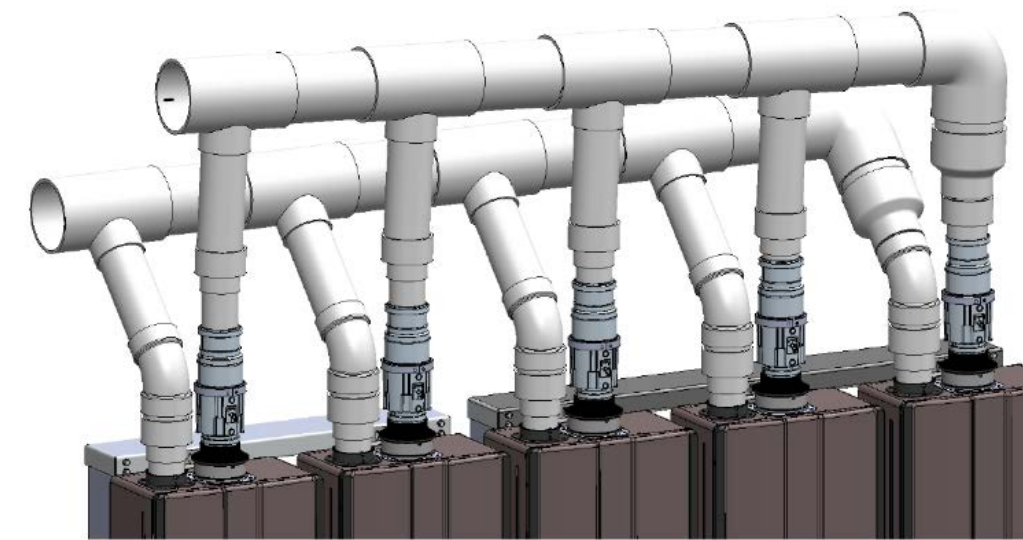


3 Unit In line

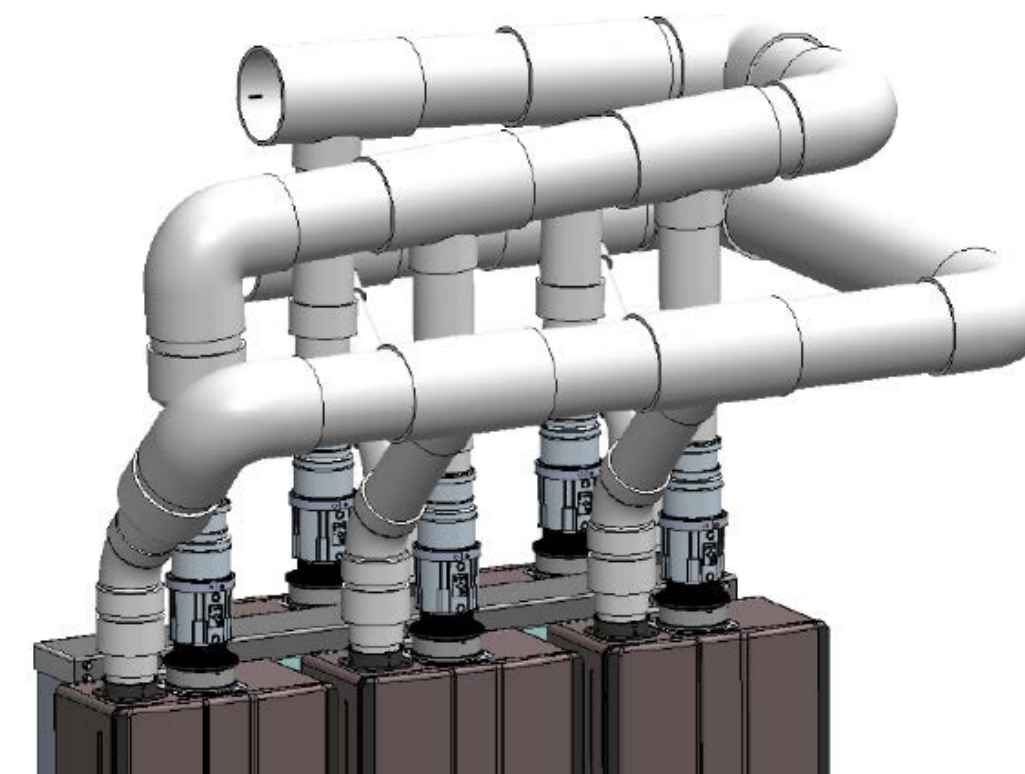


6" PVC/CPVC System

2-5 Unit In Line



2-5 Unit Back to Back



3"x4" Reducer at Check Valve
6"x4" Tee and Elbow at Header

Vent Length Matrix

Common Vent Installation Matrix		Common Vent Header Size PVC / CPVC		
		3"	4"	6"
Tankless Water Heaters on Common Vent System	2 units	40ft	100ft	100ft
	3 units	-	30ft	100ft
	4 units	-	-	100ft
	5 units	-	-	60ft

Always consult the common vent installation manual for installation requirements.